



Programmable Deluxe Thermostat

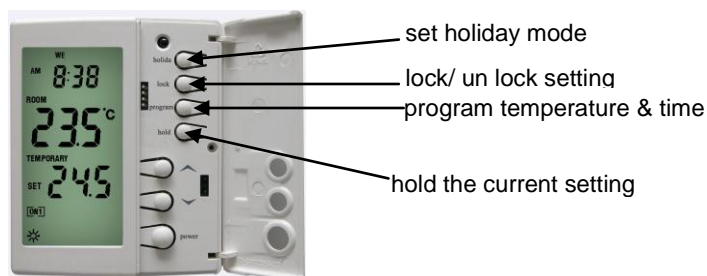
F06-NE Series

for Electric Diffusers & Floor Heating Systems

Features

- ◆ Deluxe design for control electric diffusers & floor heating systems.
- ◆ Easy to use and provides you with a more comfortable living environment and saving energy.
- ◆ Special design of double temperature modification avoids measurement to be influenced from heating inside, Provides you accurate temperature control.
- ◆ Two parts design makes electric load separate from the thermostat. Individual output and input terminals with rated 16amp make the electric connecting more safe and reliably.
- ◆ Pre-programmed for your convenience.
Two program mode: Program a week 7 days up to four time periods and temperatures each day or program a week 7 days up to two periods of turning-on/turning-off each day. It must meet your lifestyle and makes your room ambiance comfortable.
- ◆ Programs are permanently held in non-volatile memory in the event of a power failure.
- ◆ Attractive turn-cover design, most frequently used keys are located on the LCD for quick and easy access to information. Program keys are located on the interior to eliminate accidental setting changes
- ◆ Large LCD display with many messages for quick and easy readability and operation such as measurement and setting temperature, clock and program etc
- ◆ Both Internal and external sensor are available to control room temperature and set a highest limit of the floor temperature
- ◆ Constant hold temperature setting allows continuous override program
- ◆ Temporary temperature override
- ◆ Holiday mode makes it keeping on a saving temperature during the presetting holidays
- ◆ Unique lockable function makes all keys locked to eliminate accidental operation
- ◆ Low temperature protection
- ◆ Temperature either °F or °C display
- ◆ Internal or external sensor available
- ◆ Infrared remote control optional
- ◆ Backlight of LCD optional
- ◆ RS485 Communication interface optional

Buttons and LCD



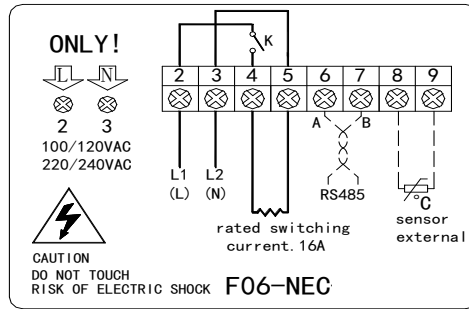
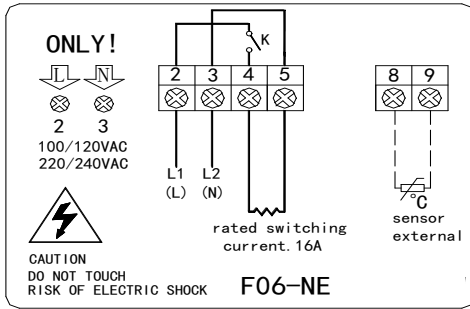
Specifications

Power supply	230 VAC/110VAC±10% 50/60HZ
Power consume	≤ 2W
Switching Current	Rating resistance load: 16A 230VAC/110VAC
Sensor	NTC 5K @25°C
Temperature degree	Celsius or Fahrenheit selectable
Temperature control range	5~35°C (41~95°F) or 5~90°C
Accuracy	±0.5°C (±1°F)
Programmability	Program 7 days/ four time periods with four temperature set points for each day or program 7 days/ two time periods with turning-on/turning-off the thermostat for each day
Keys	On the surface: power/ increase/ decrease Inside: programming/temporary temp./hold temp.
Net weight	370g
Dimensions	110mm(L)×90mm(W)×25mm(H) +28.5mm(back bulge)
Mounting standard	Mounting on the wall, 2"×4" or 65mm×65mm box
Housing	PC/ABS plastic material with IP30 protection class
Approval	CE

Models

	MODEL	DESCRIPTION
Programmable Thermostat for Floor Heating Systems	F06NE-(A)/(B)	Room thermostat for electric diffuser and floor heating. 7-day program with four time periods and temperatures each day. Holiday mode preset.
	F06NE-DW-(A)/(B)	Room thermostat for electric diffuser and floor heating. 7-day program with four time periods and temperatures each day. Holiday mode preset. Internal and external sensors can be used to control room temperature and the highest limit of floor temperature.
Power supply: -(A):230VAC -(B): 110VAC	F06NEC-(A)/(B)	F06NE with Modbus RS485 communication interface
	F06NE-PO-(A)/(B)	Room thermostat for electric diffuser and floor heating 7-day program with two time periods and turn-on/turn-off.
	F06NEC -PO-(A)/(B)	F06NE-PO with Modbus RS485 communication interface
OPTIONS		
External temperature sensor -W		Internal sensor and external sensor selectable for above items except F06-DW. The external sensor can detect the temperature of floor for protection.
Backlight LCD -EL		Blue backlight of LCD
Remote Control -R		Infrared remote control

Diagram Wiring



Shipping Information

Indiv. Ctn. Dim	135mm×95mm×55mm
Master Ctn. Qty	40
Master Ctn. Dim	44cm(L)X32cm(W)X32cm(H)
Master Ctn. Wt.	18KG

Mounting

